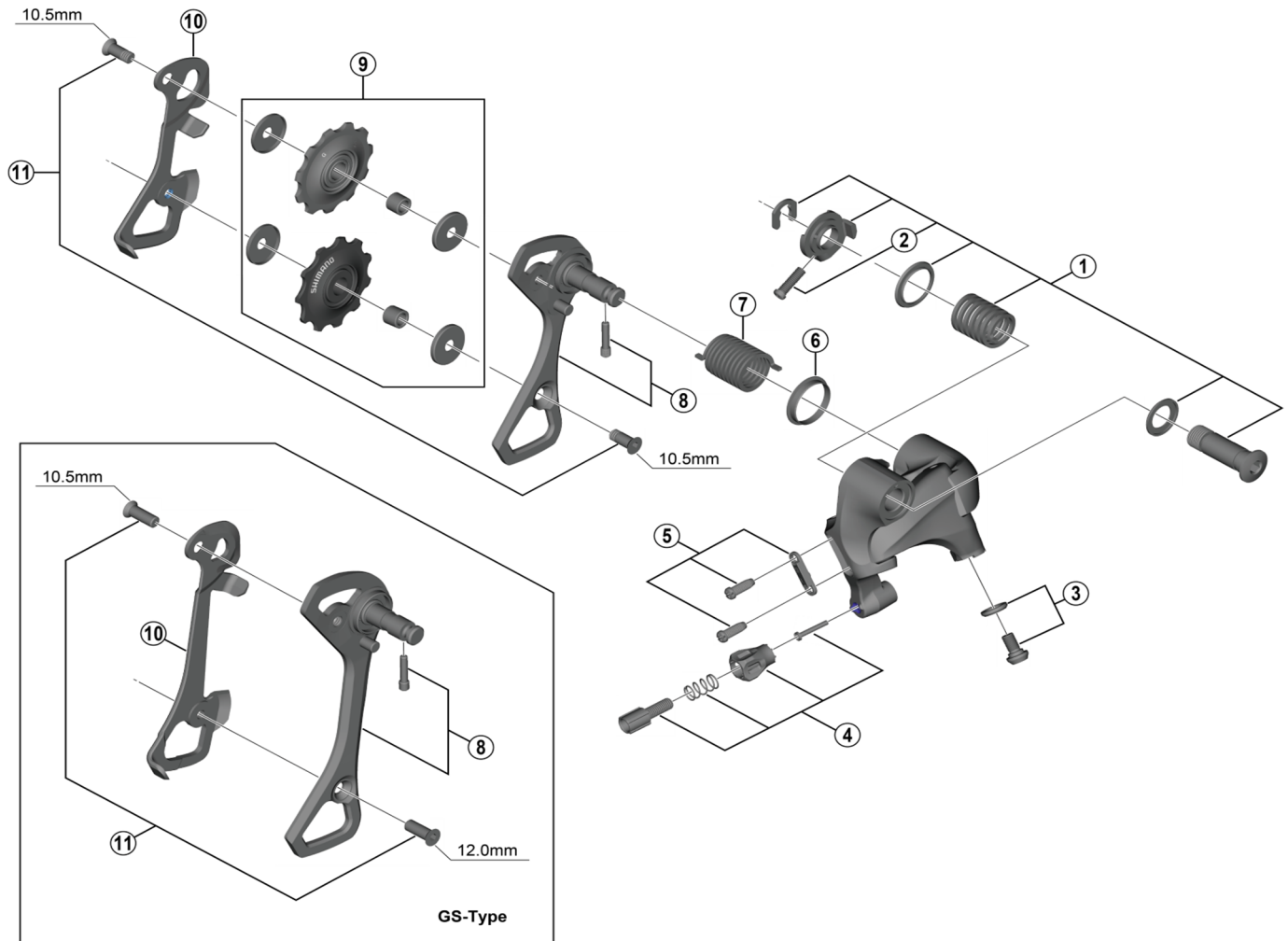


SHIMANO 105 Rear Derailleur (11-speed)

**RD-5800-S** (SS/GS) Silver Version (Short Cage/Long Cage)

**RD-5800-L** (SS/GS) Black Version (Short Cage/Long Cage)



| ITEM NO. | SHIMANO CODE NO. | DESCRIPTION                                 | INTERCHANGEABILITY |            |            |            |
|----------|------------------|---|--------------------|------------|------------|------------|
|          |                  |   | RD-6800-SS         | RD-6800-GS | RD-5800-SS | RD-5800-GS |
| 1        | Y5YE98010        | B-Axle Assembly                             |                    |            | A          | A          |
| 2        | Y5YE18000        | B-Tension Adjusting Screw (M4 x 13.5)       | B                  | B          | A          | A          |
| 3        | Y5YE98020        | Cable Fixing Bolt (M5 x 9.2) & Plate        | B                  | B          | A          | A          |
| 4        | Y5YE98030        | Cable Adjusting Bolt Unit                   | B                  | B          | A          | A          |
| 5        | Y5YC98040        | Stroke Adjusting Screws (M4 x 11.5) & Plate | A                  | A          | A          | A          |
| 6        | Y5UC14000        | P-Seal Ring                                 |                    |            | A          | A          |
| 7        | Y5XV17000        | P-Tension Spring                            |                    |            | A          | A          |
| 8        | Y5YE98040        | Outer Plate & Plate Stopper Pin for SS-Type |                    |            | A          |            |
|          | Y5YE98050        | Outer Plate & Plate Stopper Pin for GS-Type |                    |            |            | A          |
| 9        | Y5XE98030        | Tension & Guide Pulley Set for SS-Type      |                    |            | A          |            |
|          | Y5YE98090        | Tension & Guide Pulley Set for GS-Type      |                    |            |            | A          |
| 10       | Y5XH08000        | Inner Plate for SS-Type                     |                    |            | A          |            |
|          | Y5XV09000        | Inner Plate for GS-Type                     |                    |            |            | A          |
| 11       | Y5YE98120        | Pulley Bolt 10.5mm (2 pcs.) for SS-Type     |                    |            | A          |            |
|          | Y5YE98130        | Pulley Bolt 10.5mm & 12.0mm for GS-Type     |                    | B          |            | A          |

A: Same parts.

B: Parts are usable, but differ in materials, appearance, finish, size, etc.

Absence of mark indicates non-interchangeability.

Specifications are subject to change without notice.

Jun.-2017-3712C

© Shimano Inc. I

**SHIMANO**